

3-SECTOR FRAME

THE 3-SECTOR FRAME

Is a two level support designed for installation of three panel antennas on the same bracket. The c/c distance between the antennas is 500 mm (20 in).

FLEXIBILITY

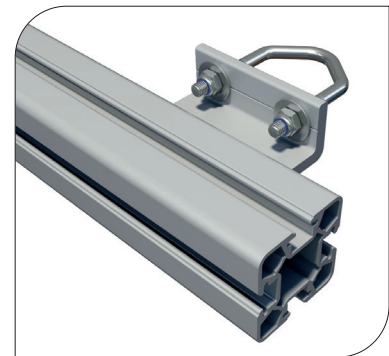
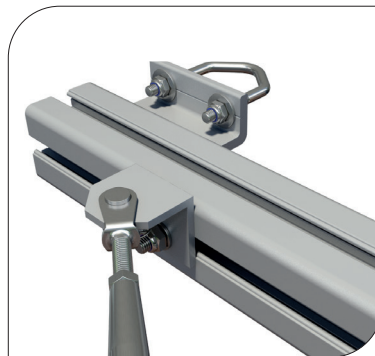
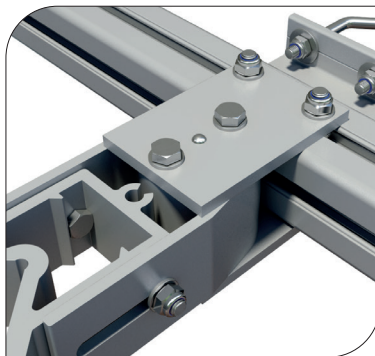
The support can be mounted to basically any type of frame leg for example round, square, 60° angle as well as 90° thanks to the very flexible bracket.

QUALITY

All components are made of anodized aluminium and stainless steel which gives the support excellent corrosion resistance.

EASY ASSEMBLY

The choice of materials makes the product very light which makes the handling and installation very easy.



ORDER AND TECHNICAL INFORMATION

DRAWING NO:	CD 990904-1150 / CD 990904-1750			
FUNCTION DESCRIPTION:	3-Sector frame for installation of three panel antennas or microwave antennas on one frameleg.			
MOUNTING SPAN:	TUBES: ○	SQUARE PROFILES: □	90° ANGLE ∨	60° ANGLE: ∨
Minimum:	Ø25 mm (1,0 in)	25 x 25 mm (1,0 x 1,0 in)	35 x 35 mm (1,4 x 1,4 in)	95 mm (3,7 in) opening
Maximum:	Ø210 mm (8,3 in)	150 x 150 mm (5,9 x 5,9 in)	150 x 150 mm (5,9 x 5,9 in)	210 mm (8,3 in) opening
PACKAGE DIMENSIONS P/N:	LENGTH:	WIDTH:	HEIGHT:	WEIGHT:
7080-xx: Package 1 (2 pcs)	370 mm (15 in)	340 mm (13 in)	160 mm (6,3 in)	17 kg (37 lb)
7080-12: Package 2	1150 mm (45 in)	150 mm (6,0 in)	75 mm (3,0 in)	11 kg (24 lb)
7080-18: Package 2	1750 mm (69 in)	150 mm (6,0 in)	75 mm (3,0 in)	16 kg (35 lb)

NOTE! Mounting tubes are not included. Must be ordered separately

Quality Design